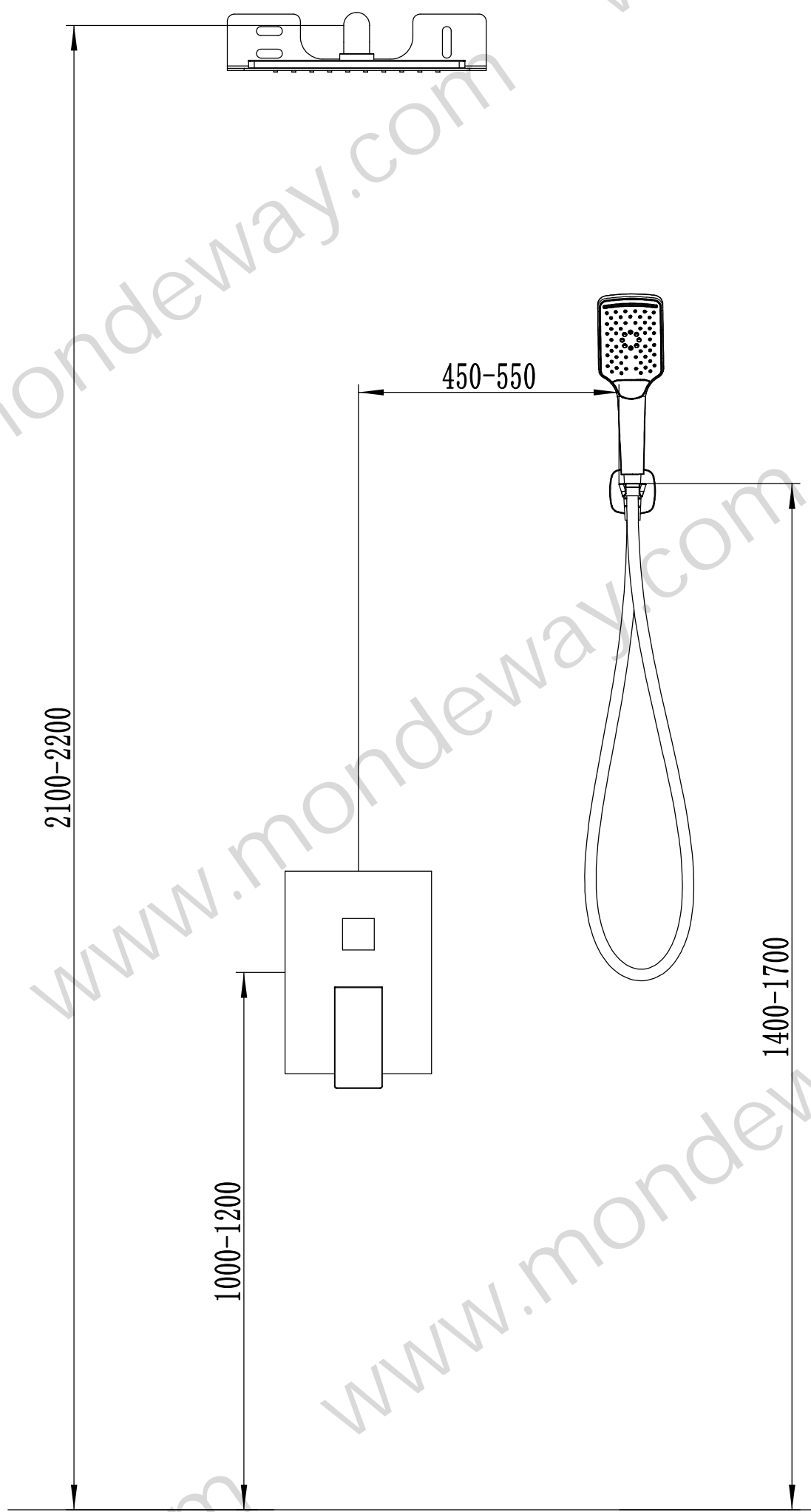
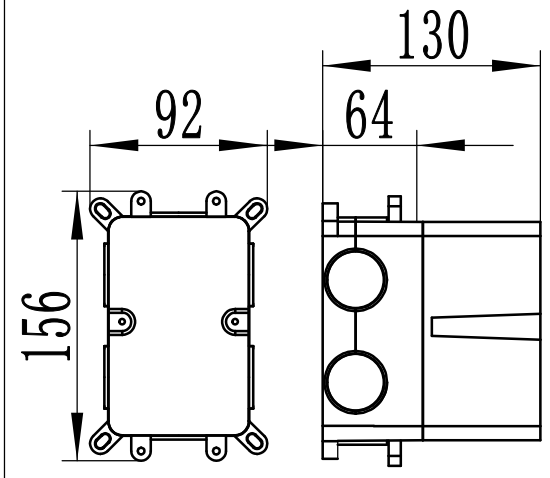


Installation size reference

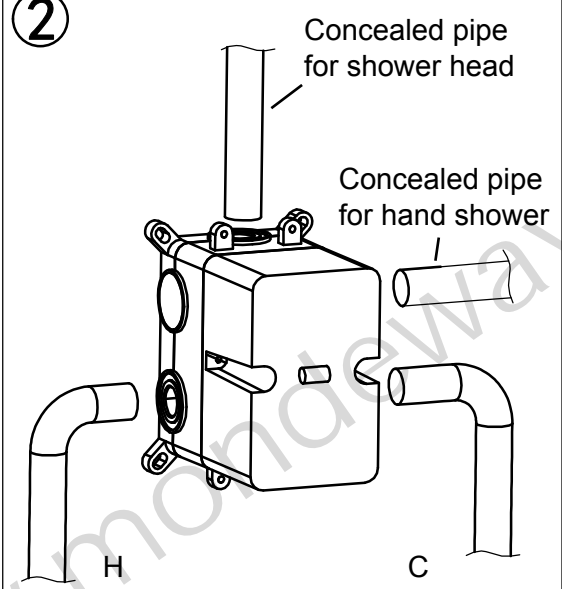


①



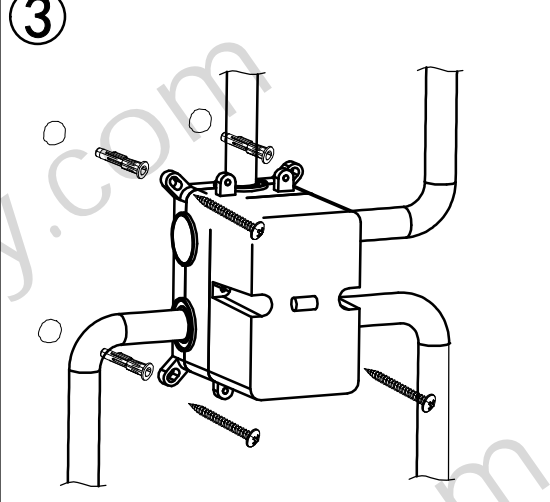
Concealed box size

②



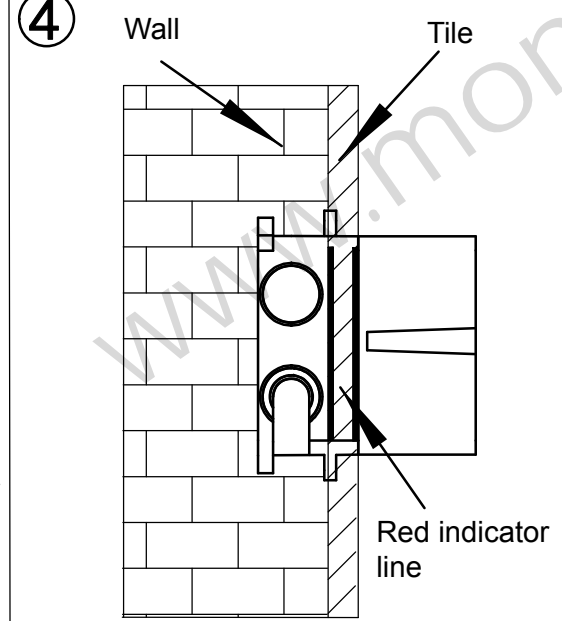
Connect the concealed box and pipe

③



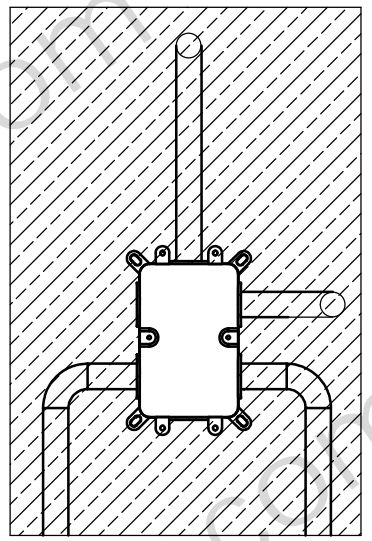
Embed the connected concealed box into the wall, drill holes according to the position of the concealed box, insert expansion nails, and adjust the level through the level bubble when fixing it with screws.

④



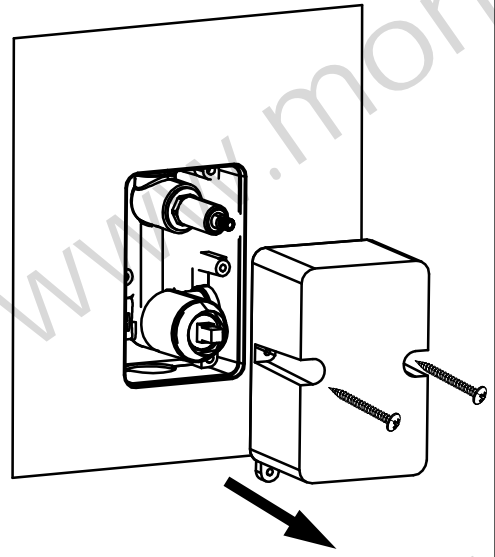
The concealed box is buried in the wall according to the range of the red indicator line on the side, with the port flush with or protruding from the tile surface.

⑤



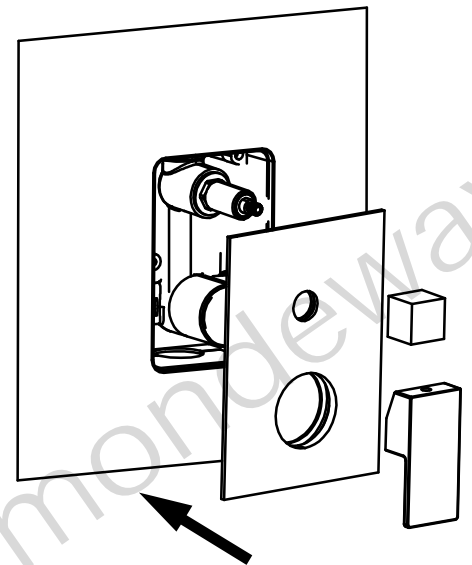
The concealed box is buried in the wall and filled with cement.

⑥



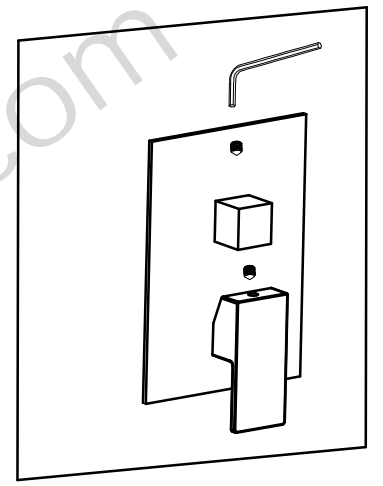
Unscrew the screws of the concealed transparent protective cover and remove the protective cover.

⑦



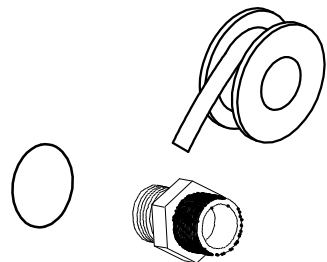
Align the hole of the decorative panel with the concealed box switch and press it in, stick it firmly to the wall, and put the handles in.

⑧



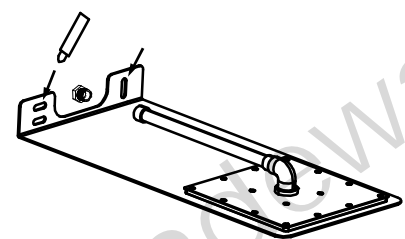
Use a hex wrench to screw the hexagon screw into the hole below the handle to secure the diverter and handle.

①



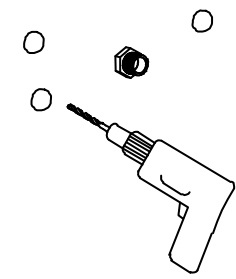
Wrap the thread of the top spray joint with raw tape and use a hexagonal wrench to screw it into the wall.

②



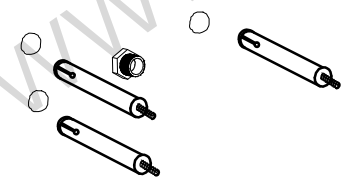
Place the shower head close to the wall and mark it with a marker.

③



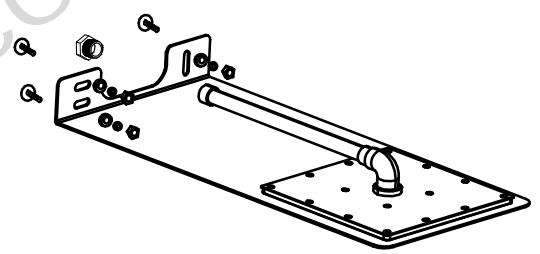
Drill three holes

④



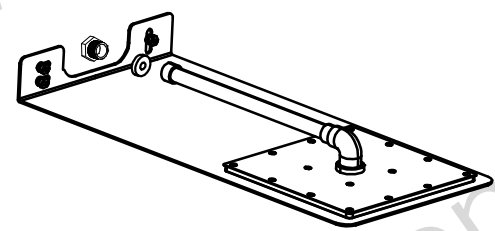
Insert the expansion nails into the drilled holes

⑤



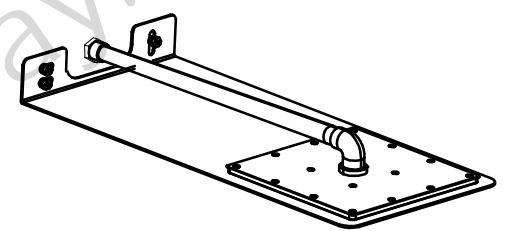
Align the top spray hole with the expansion nail on the wall, insert the large gasket, small gasket and hexagonal cap in sequence and tighten them.

⑥



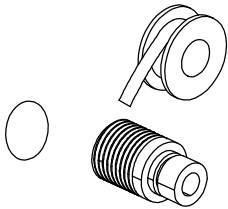
Insert the gasket into the joint and tighten it with the wall joint

⑦



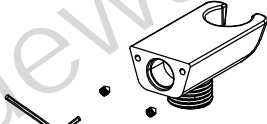
Finish

①



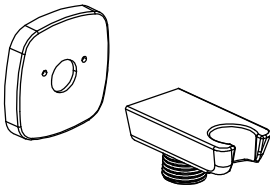
Wrap the thread of the top spray joint with raw tape and use a hexagonal wrench to screw it into the wall.

②



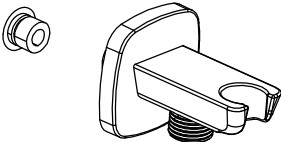
Screw the two small hex screws into the end of the bracket.

③

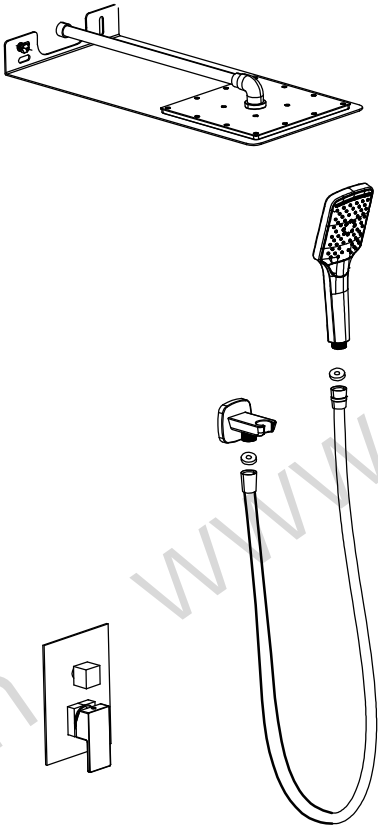


Align the bracket with the decorative cover

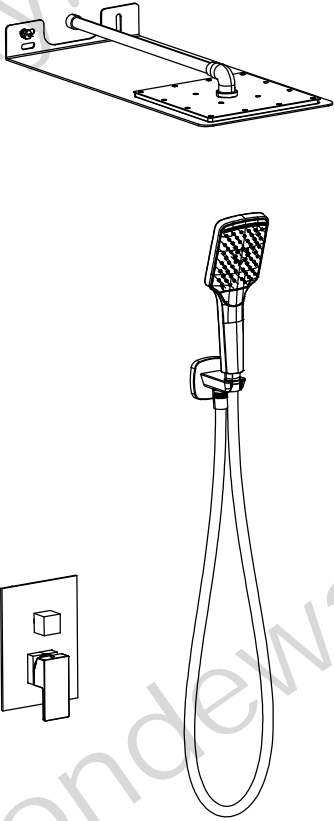
④



Align the bracket to the wall joint and tighten it clockwise.



Insert rubber gaskets into both ends of the hose, screw one end into the thread below the bracket, and screw the other end into the thread below the shower head. Place the shower head on the bracket.



Finish