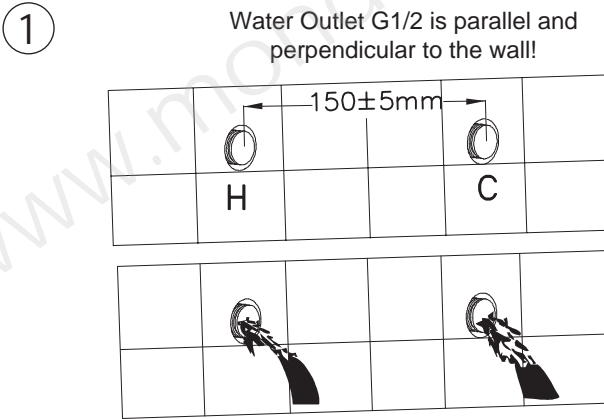
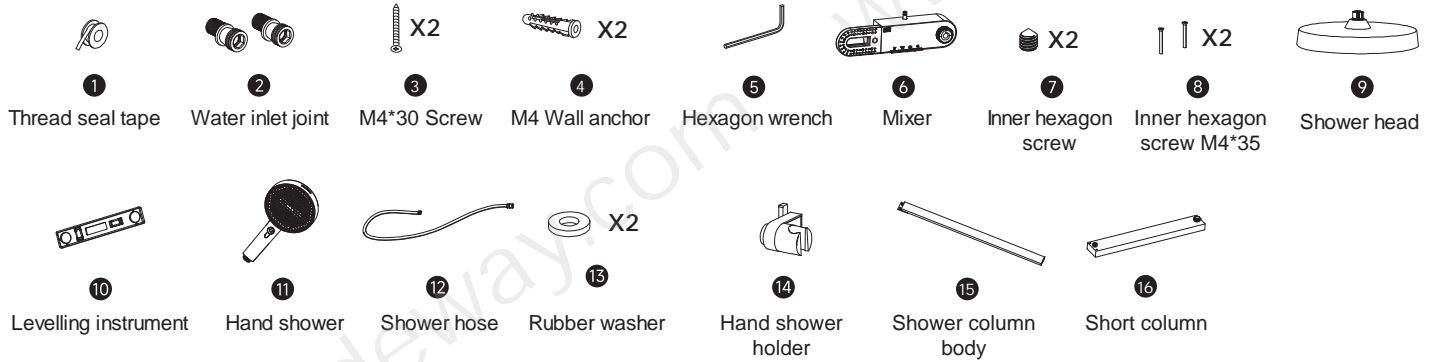
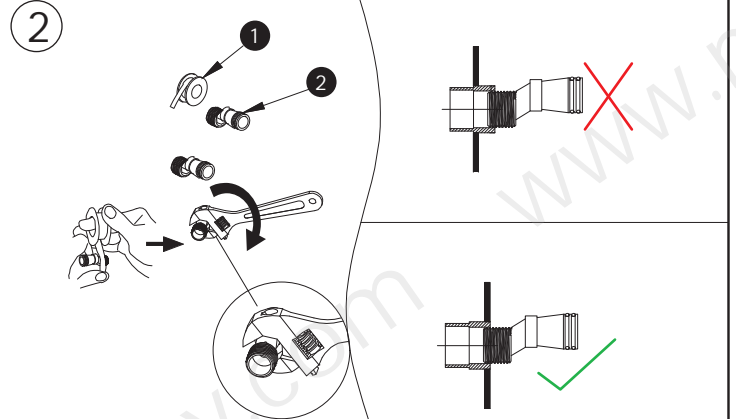


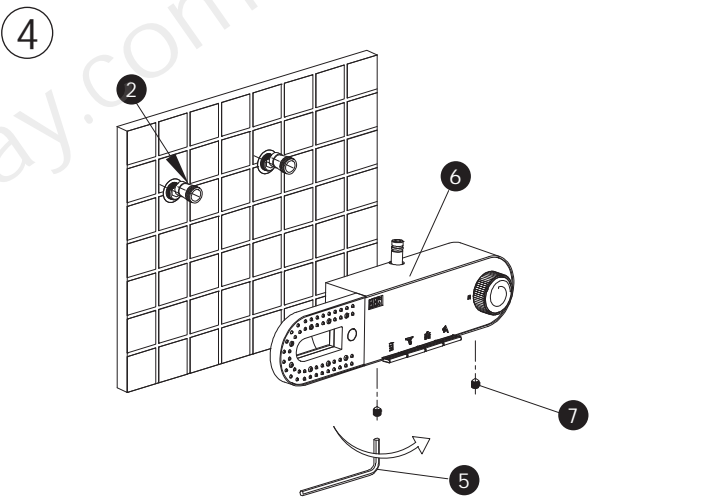
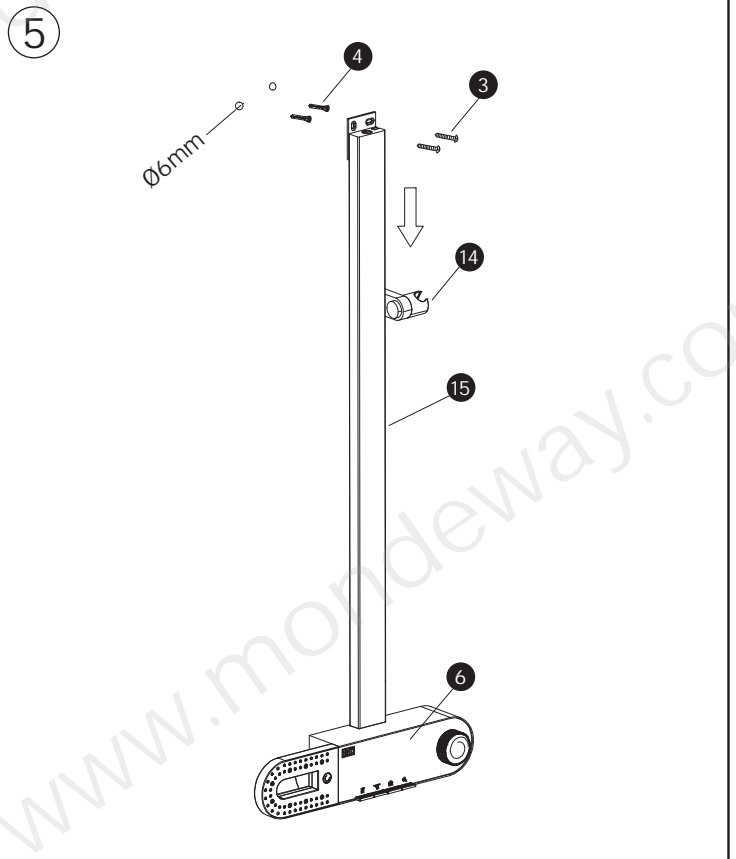
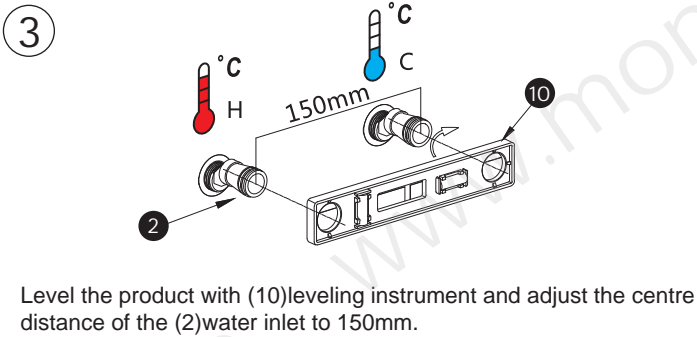
SF2080AB-D-S Instruction



Notice: Please open the water to clear impurities from the pipe before the installation.



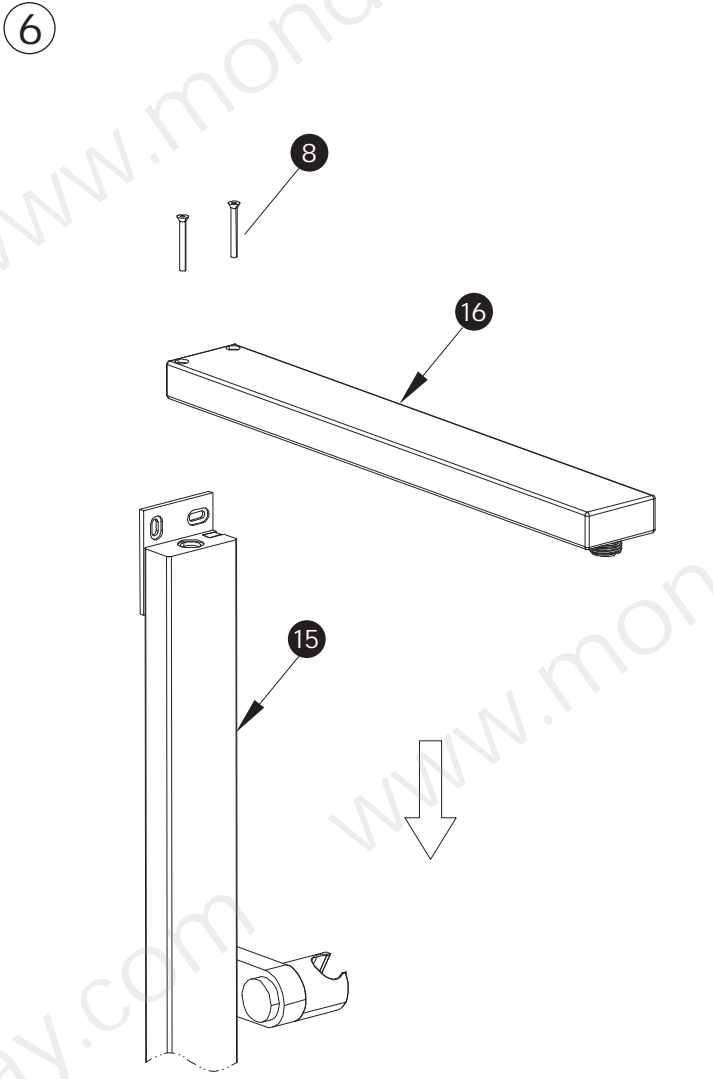
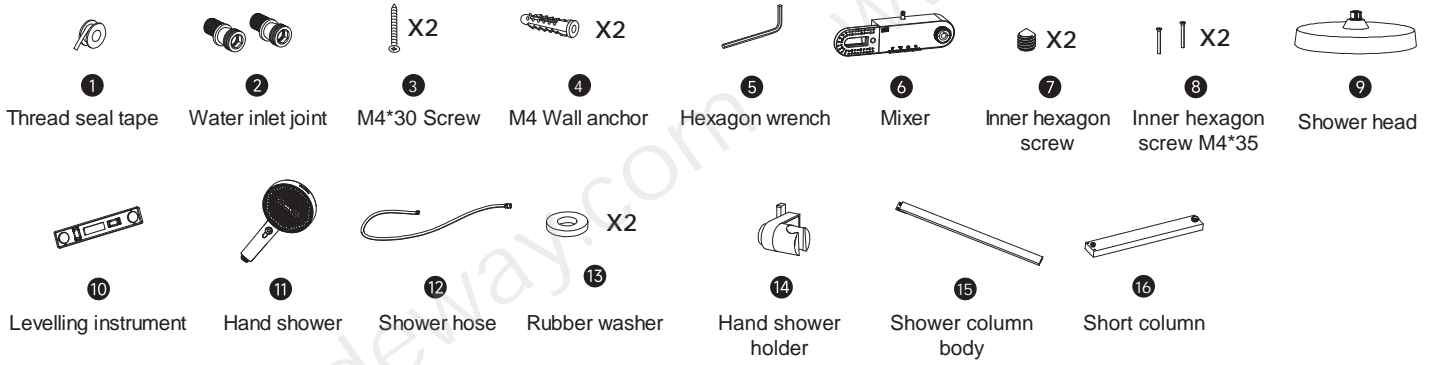
Wrap the (1) thread seal tape on (2) water inlet joint, Screw the (2) water inlet joint to the hot/cold water inlet on the wall.



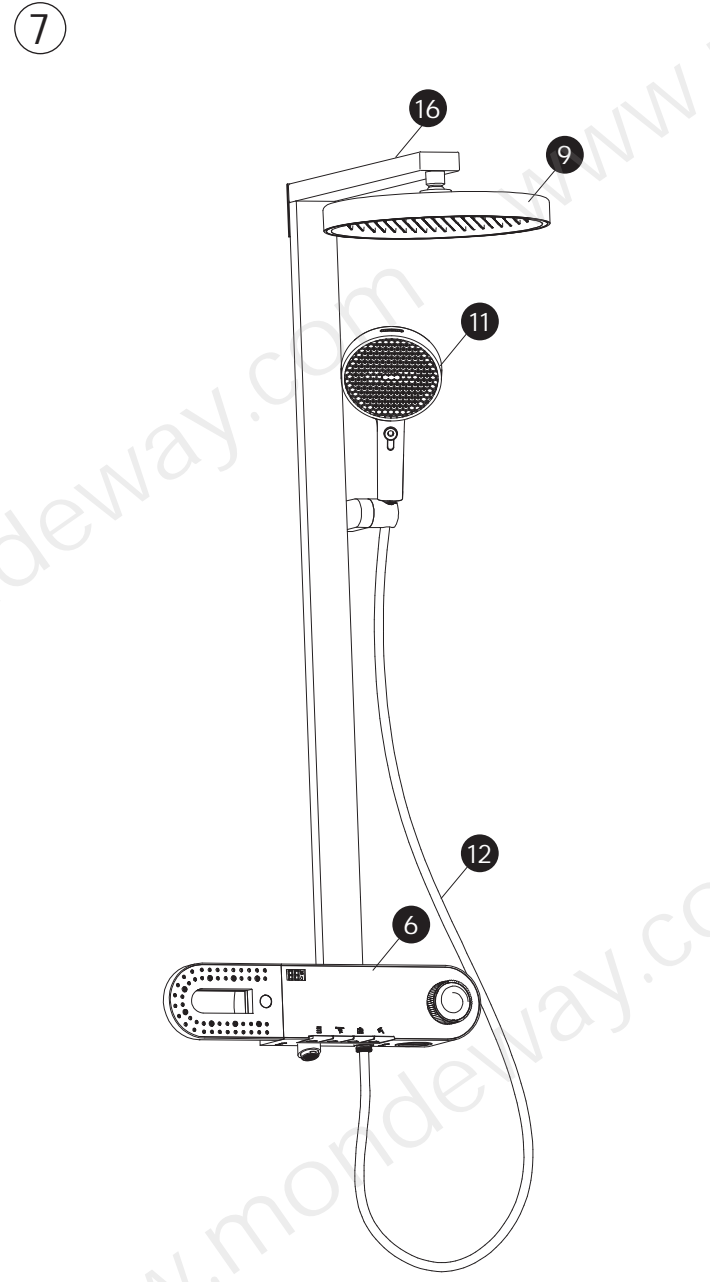
Insert the (6) mixer into (2) water inlet joint and lean it against the wall. Screw the (7) hexagon screw into the (6) mixer with (5) hexagon wrench and tighten.

Insert (15) shower column body into (6) mixer, plug (14) hand shower holder against (15) shower column body, put (15) shower column body against the wall, align the upper end hole and hammer into the wall with (4) wall anchor, then use (3) M4*30 screw to fix (15) shower column body to the wall.

SF2080AB-D-S Instruction



Insert the end of the (16) short column into the (15) main body column and secure with (8) screws.



Complete the installation by screwing the (9) shower head onto the (16) short column that has been secured and attaching one end of the (12) hose to the (6) mixer and one end to the (11) hand shower.