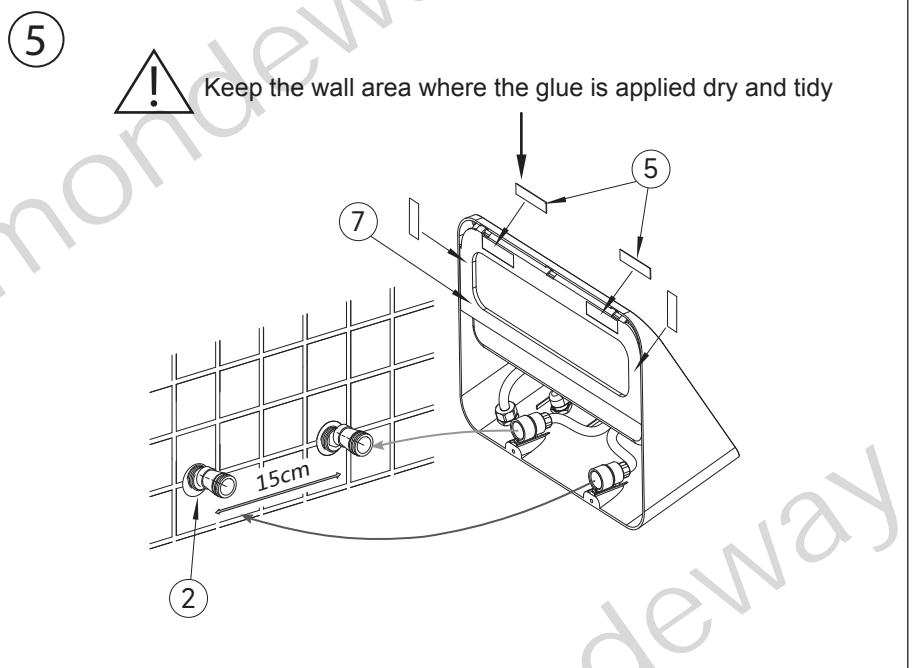
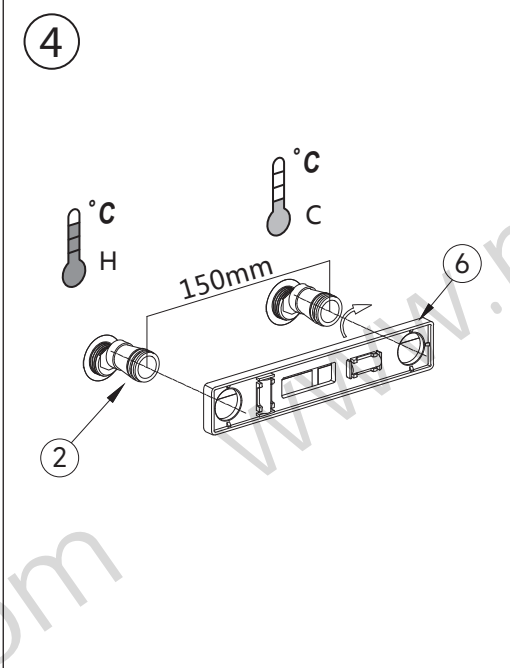
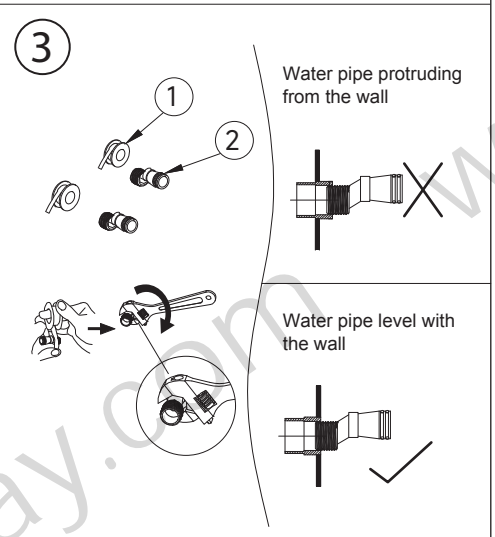
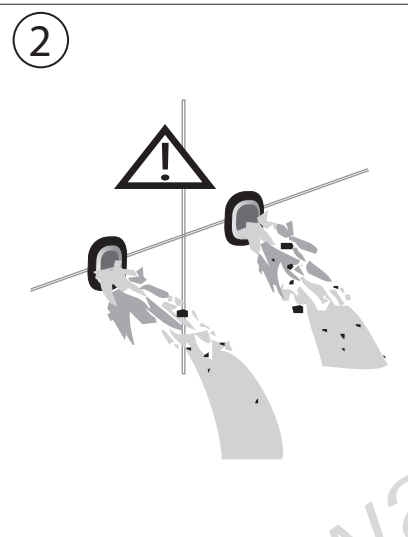
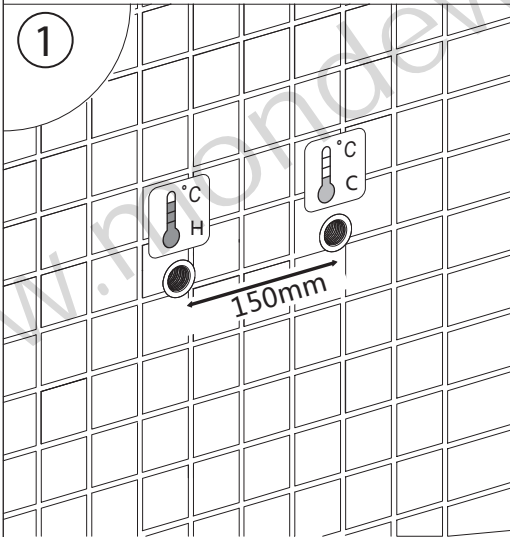
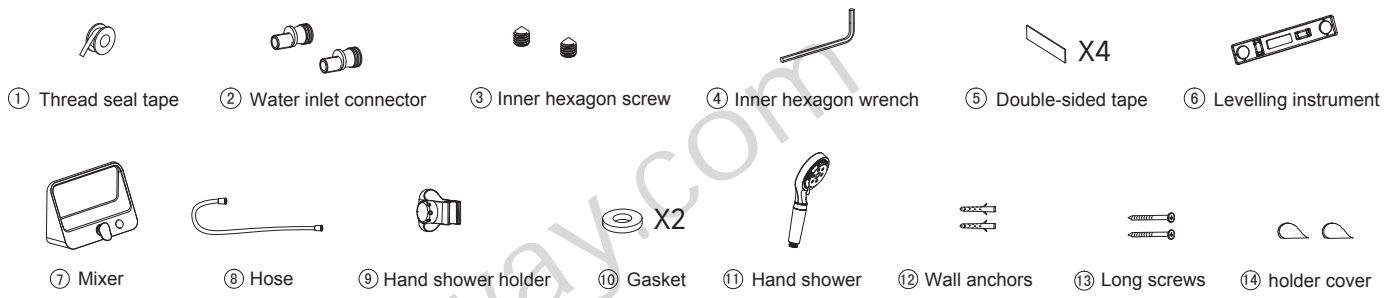
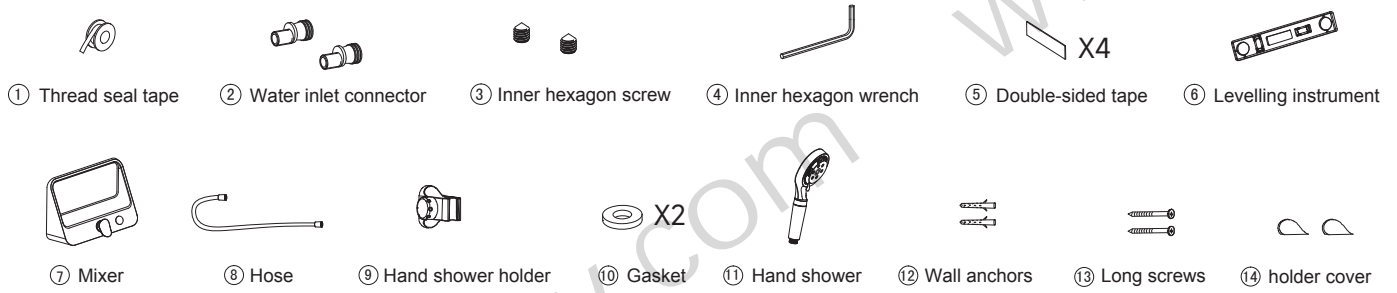


SF2000-S Installation



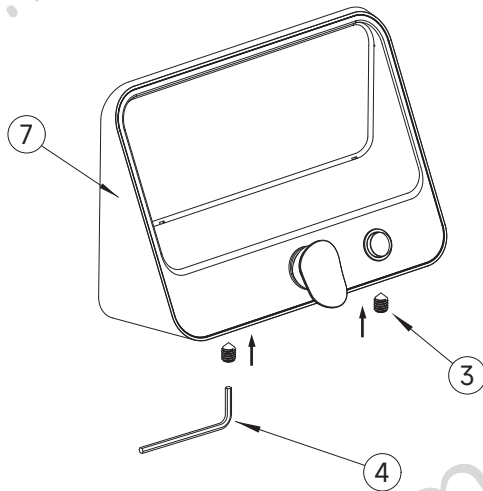
1. Make sure the distance between the centers of the water pipes is 150mm, and the two holes are on a parallel line.
2. Before installing the product, remove the debris in the water pipe, the installation of the water inlet pipe must be strictly based on left hot
3. Wrap the thread seal tape (1) on water inlet connector (2). Screw the water inlet connector (2) to the hot/cold
4. Level the product with a (6) Levelling instrument and centre the (2) water inlet joints to 150mm.
5. Insert the (5) double-sided adhesive into the square groove on the back of the (7) mixer, then insert the (7) mixer into the (2) water inlet joint, remove the protective film from the (5) double-sided glue before insertion and keep the adhesive position clean and dry.



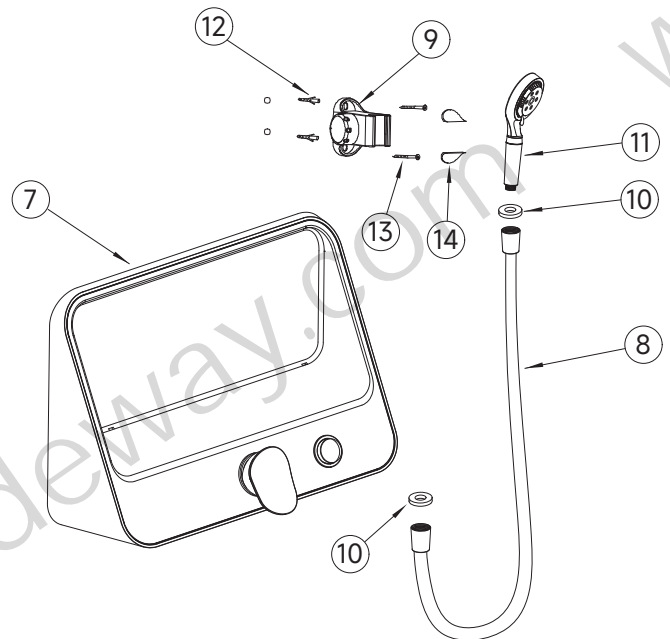
⑥



Press down firmly on the product to secure it in place after fitting.



⑦



6.Insert the (3) inner hexagonal screws into the (7) mixer and tighten with the (4) Inner hexagon wrench. Press down firmly on the adhesive position.

7.Drill 2 holes according to the picture ,Insert the wall anchors(12) inside the holes .Fixed the Hand shower holder(9)with the long screws(13) and then insert the holder cover(14)Place (10) gasket into two (8) hose end and screw one end to joint of the (7) mixer bottom. Screw the other hose end to (11) hand shower.