

Instruction

Accessories List

Please check the number of accessories carefully before installation and check that they are in good condition.



1

Water inlet joint



2

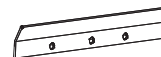
Thread seal tape



X7

3

M4 Wall anchor



4

Hook



5

M4x30 Screw



6

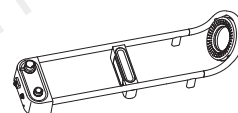
Bracket basement



X4

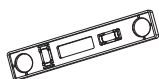
7

M4x12 Screw



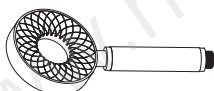
8

Body mixer



9

Levelling instrument



10

Hand shower



11

Hose



X2

12

Rubber gasket



13

Hand shower bracket

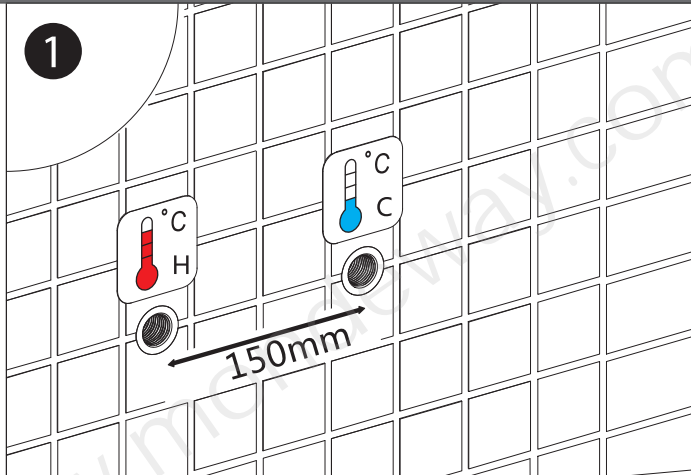


X2

14

Mesh gasket

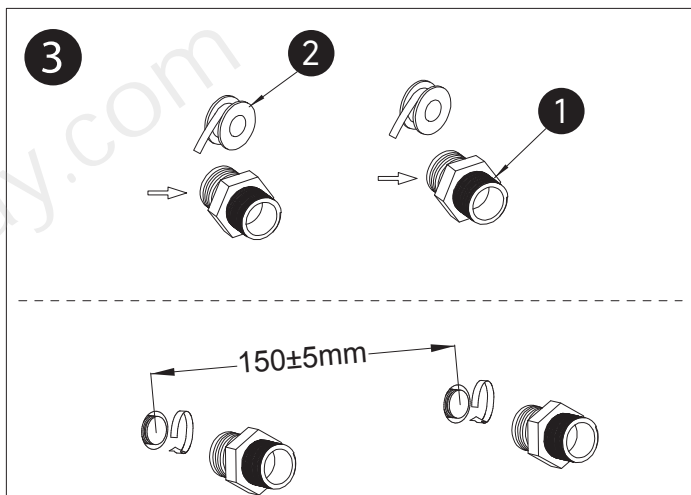
Installation Procedure



The centre distance of the water pipes is 150mm. The G1/2 outlets are on a parallel line.

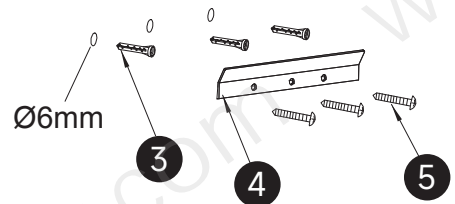
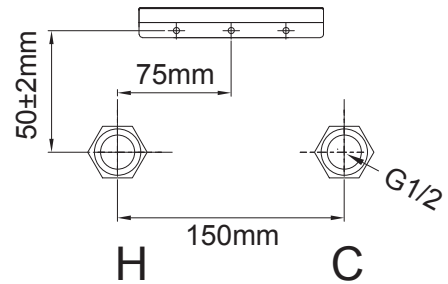


Remove foreign bodies from pipes before installing products. The installation of pipes must follow: hot on the left and cold on the right.



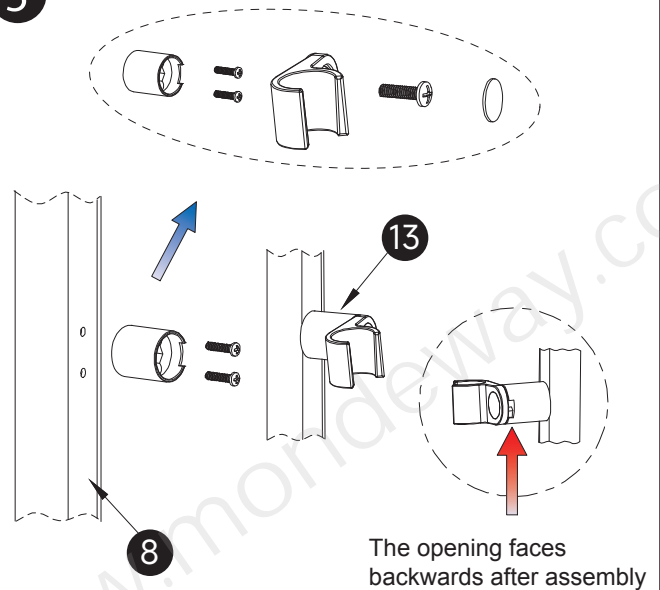
Wrap the (1) thread seal tape on (2) water outlet joint, Screw the (2) water outlet joint to the hot/cold water inlet on the wall.

4



Drill three 6mm holes in the wall, knock (3) wall anchor into the wall, insert screws (5) into (3) wall anchor through hooks (4)

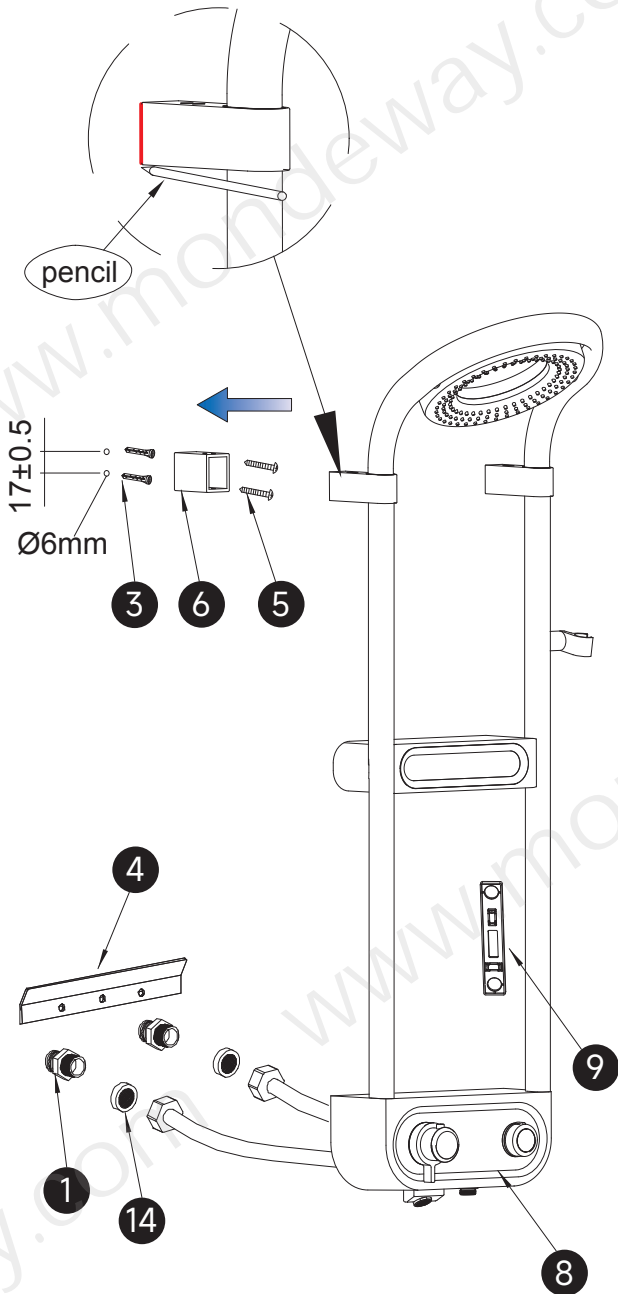
5



Loosen the screws of the (13) hand shower bracket. Place the loose fittings over the two holes in the (8) main body and screw them. Put the kit for the (13) hand shower bracket onto the fixed fitting and lock it with screws, then place the small cover.

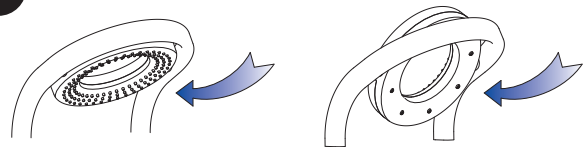
Installation Procedure

6

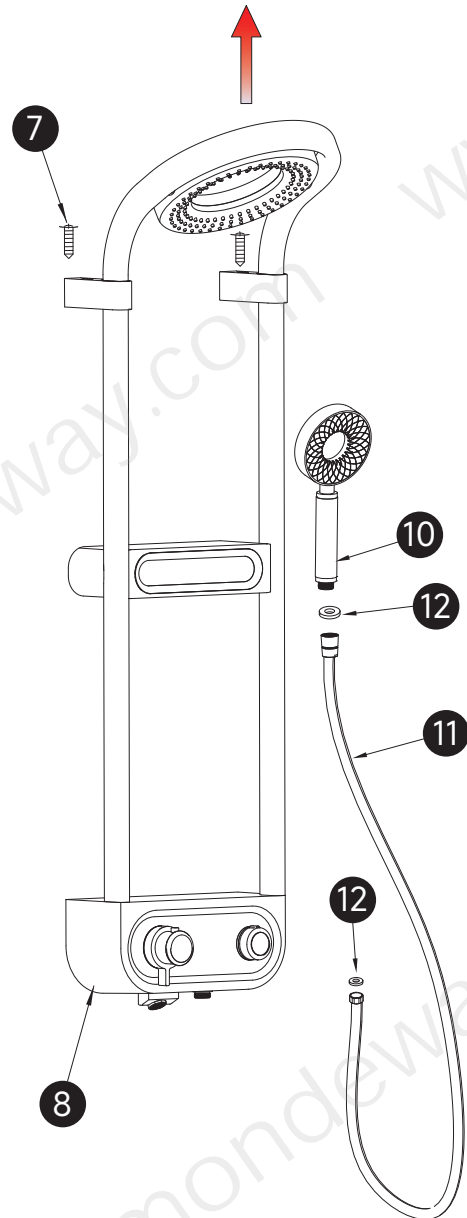


Insert the two water inlet pipes behind the (8) main body mixer into the (14) mesh gasket and tighten the connection with the (1) water inlet joint, snap it into the (4) hook, and use the (9) levelling instrument to adjust the level. Mark the bracket against the wall with a pen, then drill a hole on the wall, insert the (3) wall anchor, insert the (5) screw into the (3) wall anchor through the (6) bracket basement. Insert (8) body mixer

7



360° to realize functional water type switching. When the head switching function is turned on, push it toward the wall and rotate it.



Insert the (7) screws into the hole above the (8) body mixer bracket and tighten it. Place a (12) rubber gasket at each end of the (11) hose, tighten one end of the hexagonal cap to the water outlet connection at the bottom of the (8) body mixer, and tighten the other end to the (10) hand shower connection