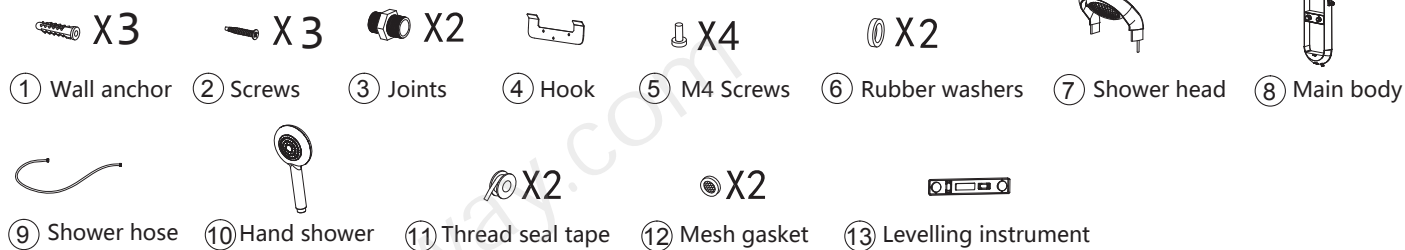
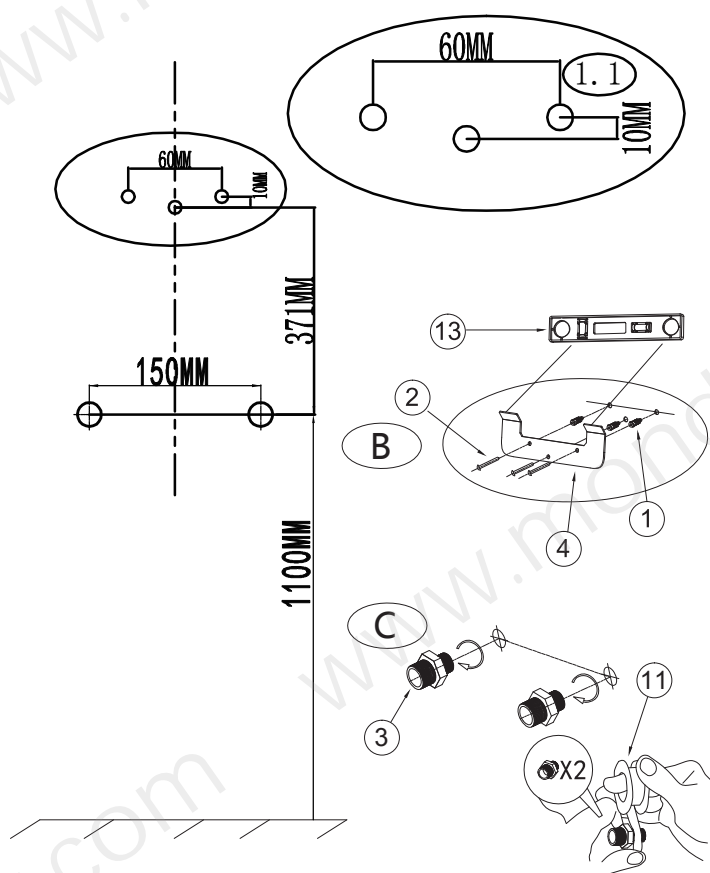


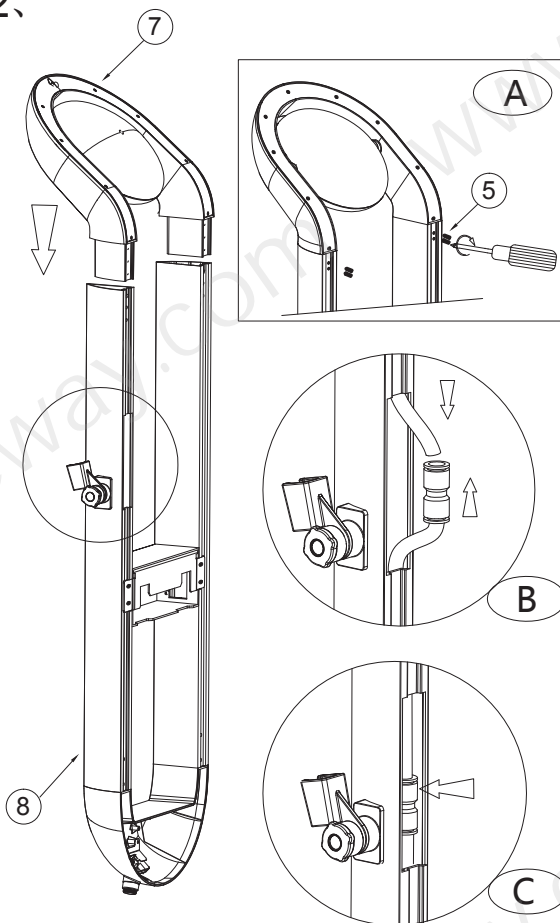
SF1040 Installation Instruction



1、



2、



1. A. According the drawing drill 3 holes $\varnothing 6\text{mm}$.








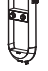





B. insert wall anchors (1) inside the holes, fix the hooks(4) with screws (2), use the Levelling instrument (13) keep it balance .

C. Wrap the thread seal tape (11) on joints (3),Screw the joints (3) to the G1/2 hot/cold water inlet on the wall.

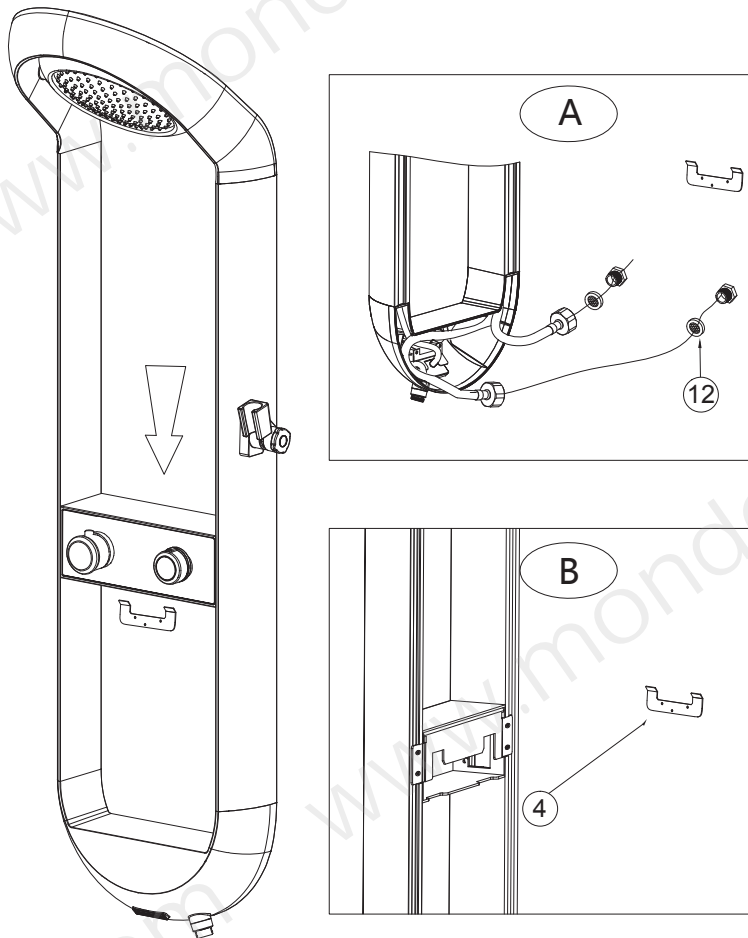
2. A. Insert the shower head (7) in to the main body (8),and fix it by M4 screws (5).

B. Insert the two side of the water inlet to the connectors.

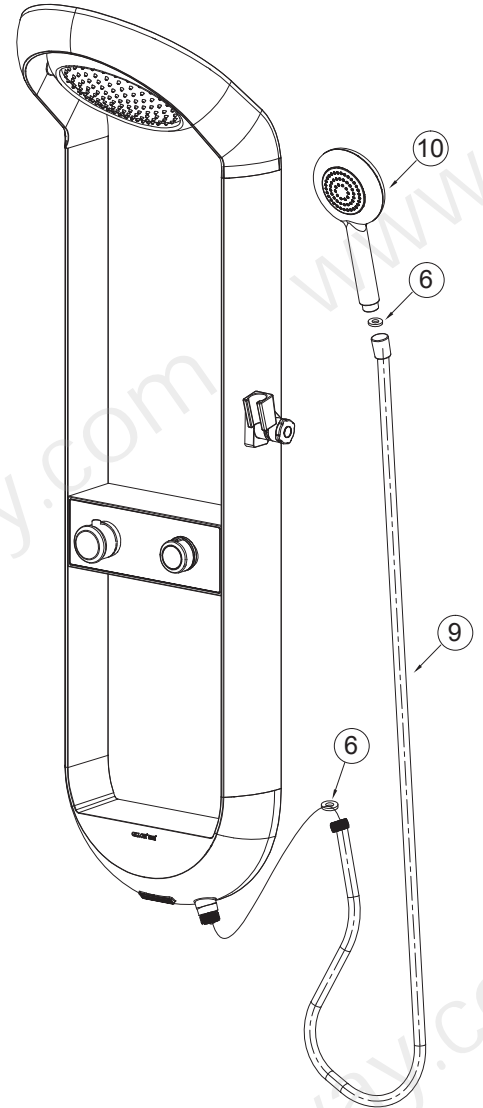
C. Then put the water inlet and connectors back to the main body.

-  X 3
  X 3
  X 2
 
  X 4
  X 2
 
 
- ① Wall anchor ② Screws ③ Joints ④ Hook ⑤ M4 Screws ⑥ Rubber washers ⑦ Shower head ⑧ Main body
- 
 
  X 2
  X 2
 
- ⑨ Shower hose ⑩ Hand shower ⑪ Thread seal tape ⑫ Mesh gasket ⑬ Levelling instrument

3、



4、



3. A. Screw the hot-cold inlet fitting into water outlet joints (3) with the mesh gasket (12).
 B. Hold up the main body(8),hang the main body on the hooks(4), fix the main body(8).
4. Place the rubber washers (6) into each nut of the shower hose (9) , and secure one nut to the right bottom of main boy (8), and the other nut to the hand shower (10). Put the hand shower (10) onto the shower holder.

NOTE:

- ① Do not forget to use the rubber washers to prevent leakage on the connection.
- ② Please, make sure that none of the hoses are bent or kinked after final installation .
- ③ Check water connections for proper flow: make sure there is no leakage.